

Instruction Manual For Tall Unit

INOX

In Collaboration with Inox Decor Corp, USA

An ISO 9001 : 2008 Company

FP Tall units(Top & Runners are not included)

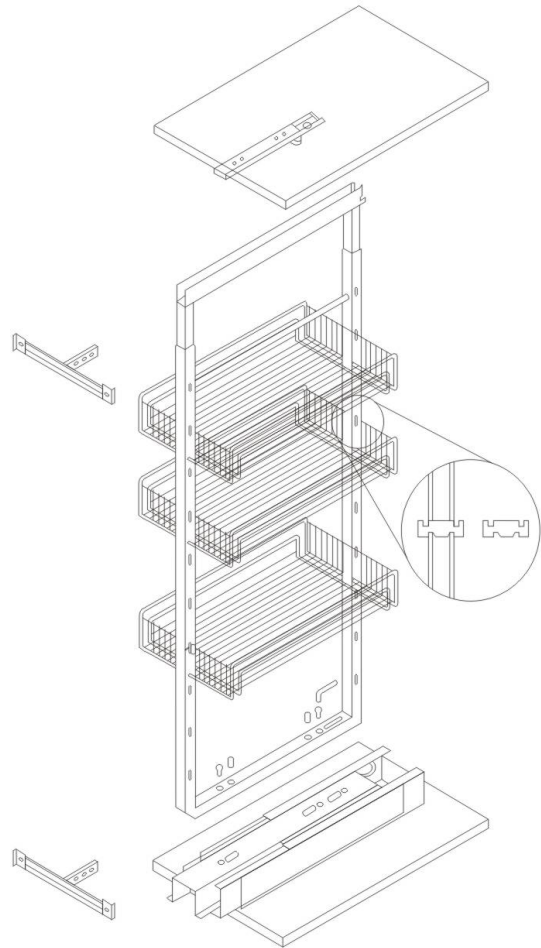
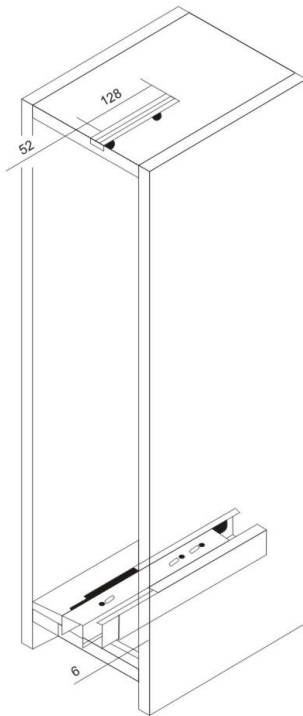
Item No.	Carase Width	
	Adjustable height	300 mm
1100-1400 mm	B1.01.101	B1.01.102
1825-2125 mm	B1.02.101	B1.02.102

Finish Silver

Content:* 1 adjustable centre frame

2 front/extension fixing baskets, designer

- (1) To fix Bottom Runner and Upper Runner
Full extension

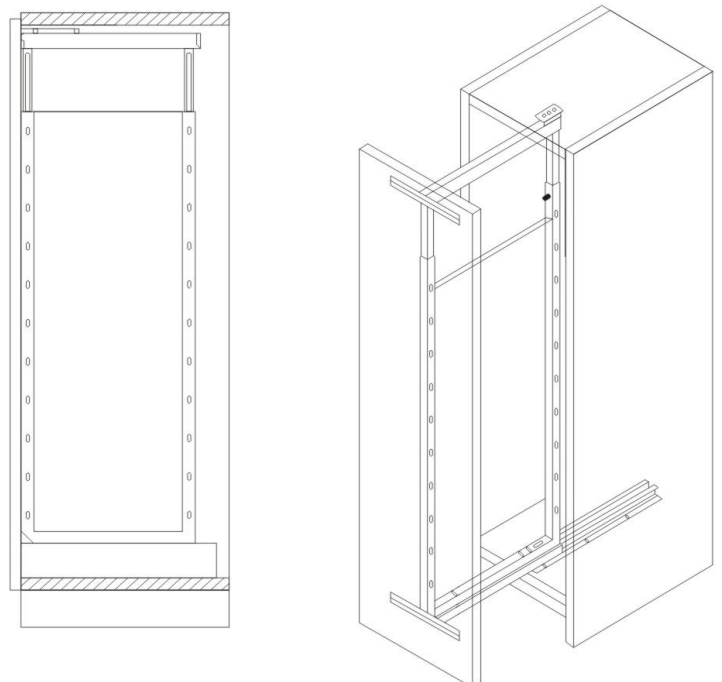
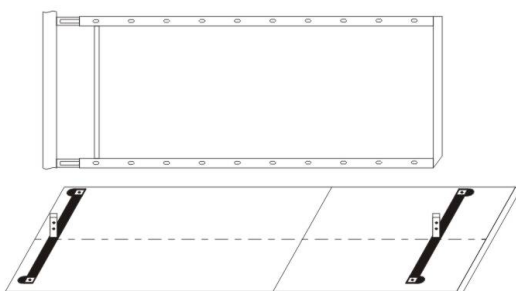


- (4) Frame to be screwed on Runner

- (2) To fix Bracket to the door



- (3) To combine Bracket and Frame



- (5) To adjust the pro-mounted unit in the cabinet
(6) To insert the hanging plates
(7) Hanging Clip-on Baskets on the plates